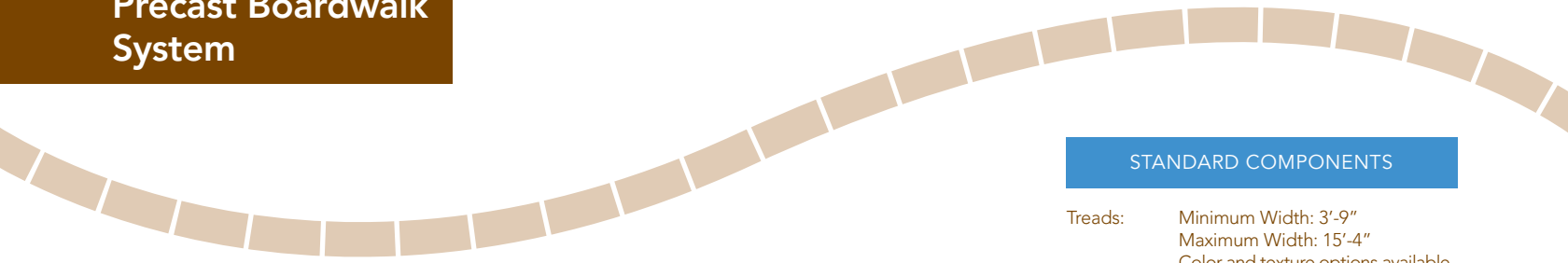


# Precast Boardwalk System



## STANDARD COMPONENTS

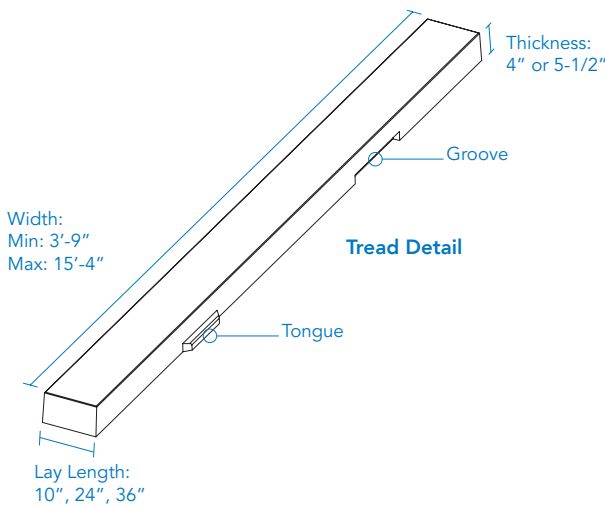
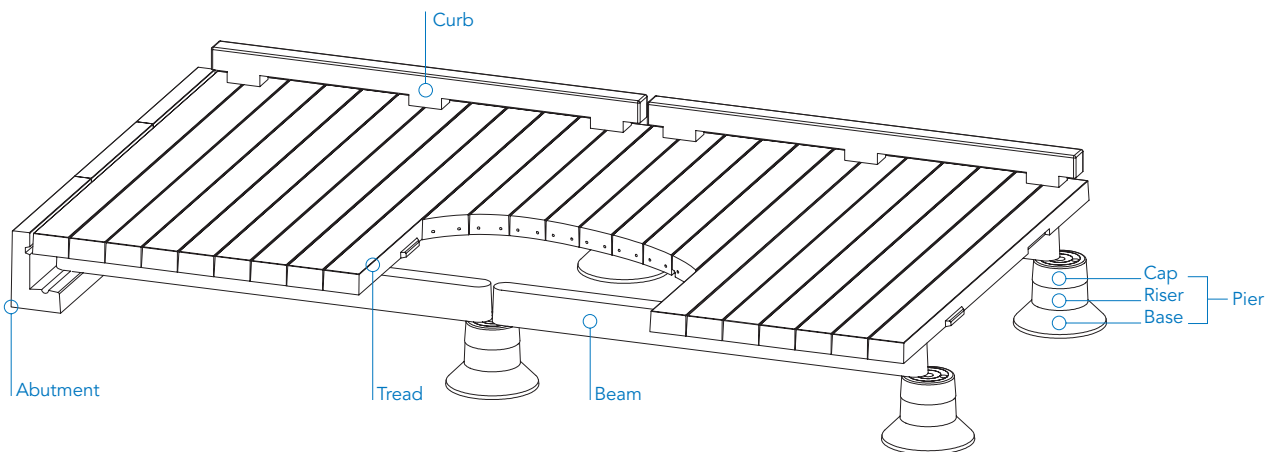
Treads:	Minimum Width: 3'-9" Maximum Width: 15'-4" Color and texture options available
Beams:	Lengths: Up to 20'-0"
Abutments:	Width: 3'-9"
Piers:	Precast piers consist of precast base, riser and cap. The heights of each component are 6" nominal. Additional risers are stacked on each other to increase pier heights. Caps are the bearing elements for the precast beams and are connected via "mushroom shaped" urethane pins.

## Standard Components

PermaTrak® is produced with reinforced, precast concrete components.

The concrete treads lock together via tongue and groove connections on both sides.

The boardwalk system can be designed to follow curved alignments through the use of tapered treads, and may be engineered to meet uplift requirements.



### Notes:

1. Light lifting equipment required to place components.
2. This diagram is for illustrative purposes only. Preliminary engineering drawings available upon request.
3. Railing and curb options available.